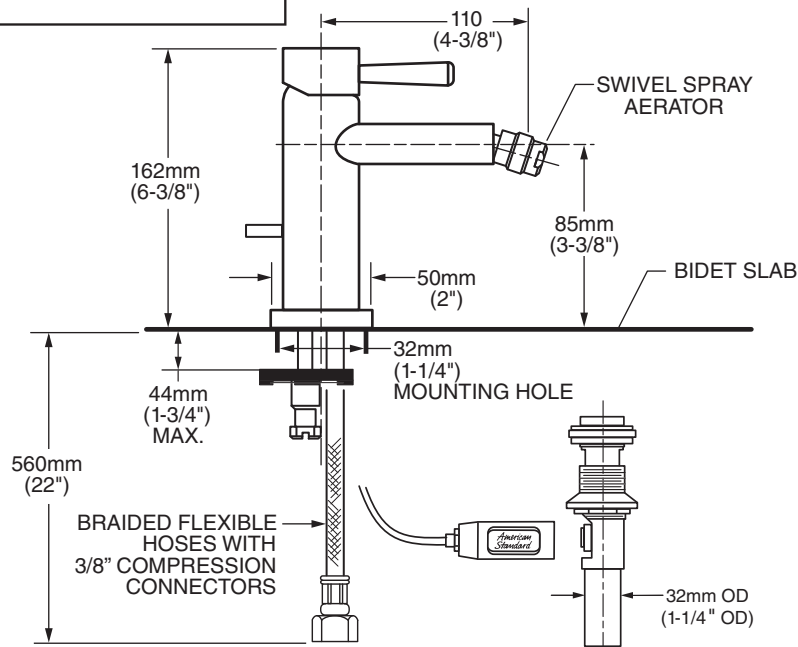


**MODEL NUMBER:**

- ☐ 2064.011 Bidet Fitting  
Metal Speed Connect® Pop-up drain.  
Swivel spray aerator.



**GENERAL DESCRIPTION:**

Brass body with metal lever handle. Washerless 35mm ceramic disc valve cartridge. Equipped with integral hot limit safety stop. Braided flexible hoses with 3/8" compression connectors. 20" (500mm) long flexible stainless steel drain cable is pre-assembled to faucet body. Metal Speed Connect® drain body with 1-1/4" (32mm) tail piece.

**PRODUCT FEATURES:**

**Brass Construction:** Durable - Excellent in high use applications. Ideal for prolonged contact with water. Provides the finest surface for application of all colors and finishes.

**Ceramic Disc Valve Cartridge:** Assures a lifetime of drip-free performance.

**Adjustable Hot Limit Safety Stop:** Limits the amount of hot water allowed to mix with cold. Reduces the risk of accidental scalding.

**Exclusive Speed Connect® Metal Drain:**

- Fewer Parts - installs in less time.
- No adjustments required - seals the first time, every time.
- Flexible stainless steel cable - installs effortlessly in tight spaces.

**Choice of Finishes:** Available in Polished Chrome and Satin Nickel finishes.

**SUGGESTED SPECIFICATION:**


Single control bidet fitting shall feature a brass body with metal handle. Shall also feature washerless ceramic disc valve cartridge with integral hot limit safety stop and braided flexible hoses with 3/8" compression connectors. Shall also feature a metal drain body with stainless steel cable actuation. Fitting shall be American Standard Model # 2064.011.\_\_\_\_.

**CODES AND STANDARDS**

These products meet or exceed the following codes and standards:

- ANSI A117.1**
- ASME A112.18.1**
- CSA B125**

Product Number	Description	Finish Options	
		Polished Chrome	PVD Satin Nickel
		002	295
2064.011	Bidet fitting. Metal Speed Connect® Pop-up drain. Swivel spray aerator.		

 Meets the American Disabilities Act Guidelines and **ANSI A117.1** Requirements for the physically challenged.